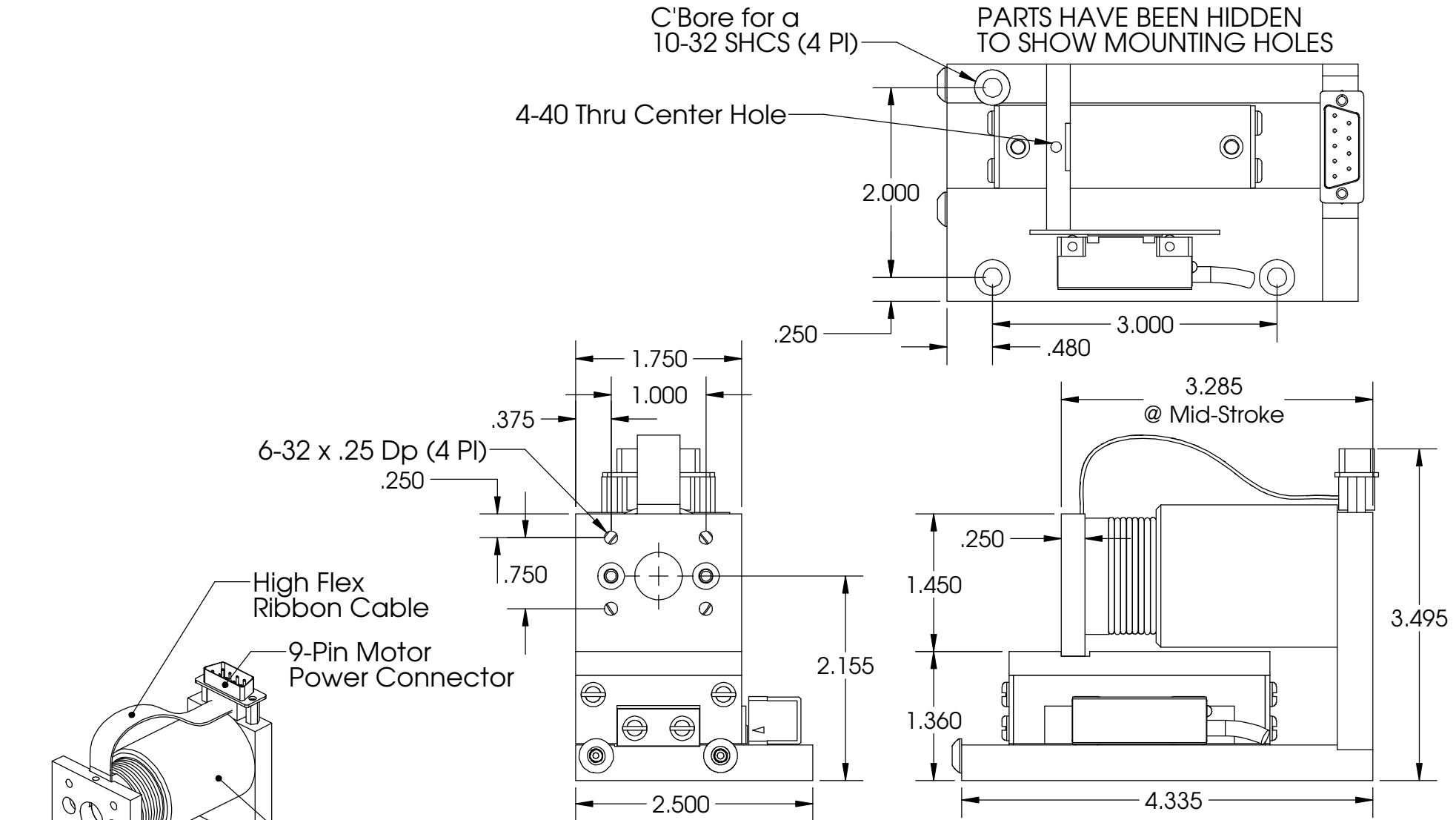


These drawings and specifications are the property of H2W Technologies, Inc. They are issued in confidence and shall not be reproduced, copied, or used without written permission from H2W Technologies, Inc. (www.h2wtech.com)

REVISION TABLE					
REV	ECN#	DESCRIPTION	REV BY	APPROVED	DATE
---	---	Original Drawing	OOG	MPW	5-3-12



MOTOR SHOWN AT MID-STROKE

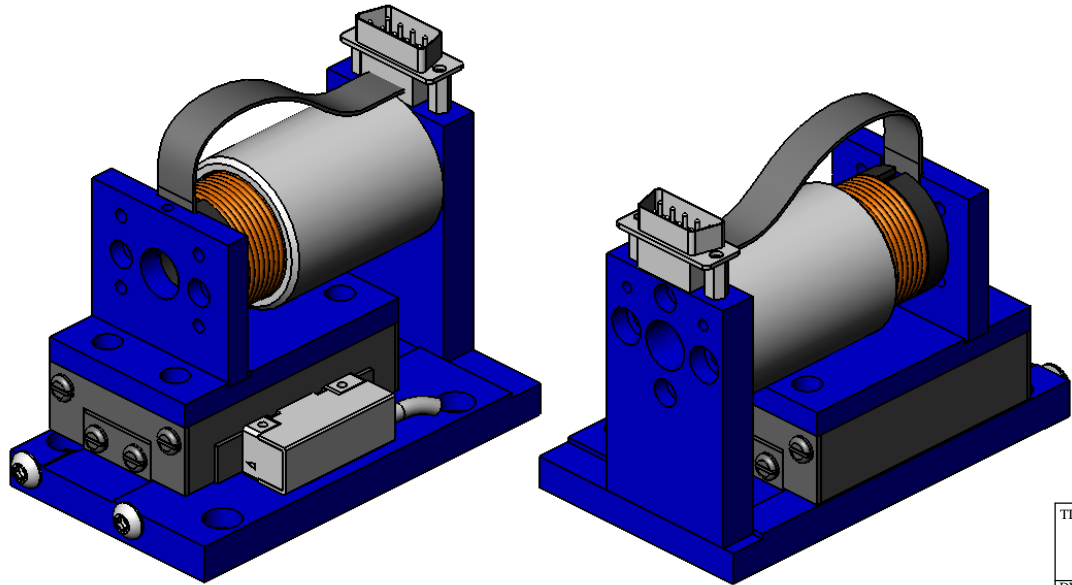
H2W Technologies, Inc.
 26470 Ruether Ave #102 Santa Clarita, CA 91350 USA
 Tel: (661) 251-2081 Fax: (661) 251-2067
 www.h2wtech.com

Voice Coil Positioning Stage
Model #VCS10-023-BS-01-MCH

DWG# **31-0338** REV --- SHEET 1 of 2

UNLESS SPECIFIED OTHERWISE: All dimensions are in inches Standard Tolerances are as follows			
.XXX	±.005	ANGLES	±1°
.XX	±.010	FILLETS	.010
X	±.020	CORNERS	.010
Remove All Burs and Sharp Edges			
MATERIAL			
FINISH			
DRAWN	OOG	DATE	5-3-12
APPROVED	MPW	DATE	5-3-12

VOICE COIL POSITIONING STAGE SPECIFICATIONS		
Motor P/N	NCC10-15-023-1X	
Stroke	1.00"	25.4 mm
Encoder Resolution	1 micron	
Bearing Type	Ball Slide	
Moving Mass	.32 lbs	143 grams
Total Mass	1.16 lbs	528 grams
Resistance @ 20C	7.5 ohms	
Inductance @ 20C	3.3 mH	
Electrical Time Constant	0.44 msec	
Motor Constant	0.85 LBS/SQRT(Watt)	3.78 N/SQRT(Watt)
Force Constant	2.3 LBS/Amp	10.2 N/Amp
Back EMF	0.26 V/ips	10.2 V/m/sec
Continuous Force	2.3 LBS	10.2 N
Max Power @ 100% Duty	7 Watts	
Peak Force	6.9 LBS	30.7 N
Max Power @ 10% Duty	66 Watts	



TITLE	Voice Coil Positioning Stage Model #VCS10-023-BS-01-MCH	
DWG #	31-0338	REV ---
		SHEET 2 of 2